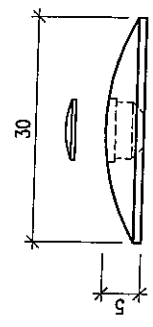
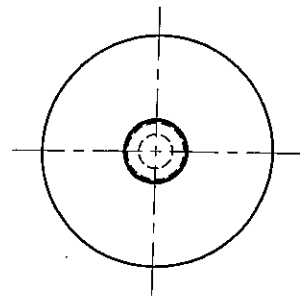
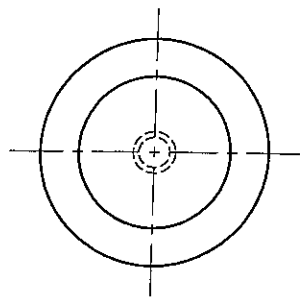
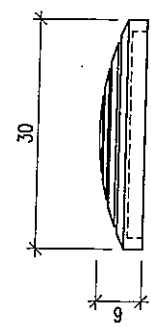


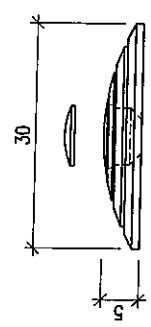
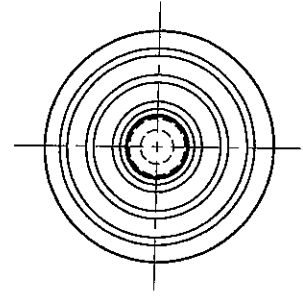
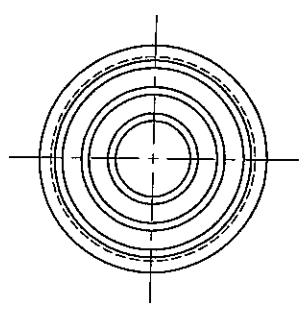
HST-3004
GRADE 304 :
GRADE 316 :



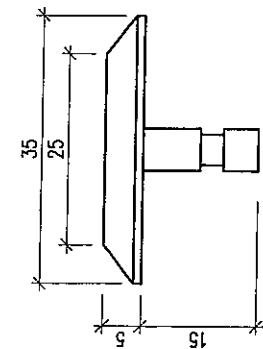
HST-3005
GRADE 304 :
GRADE 316 :



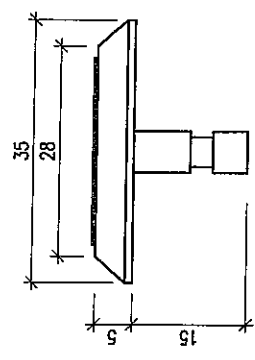
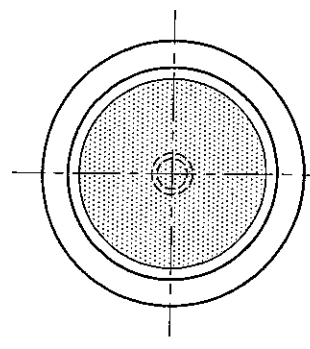
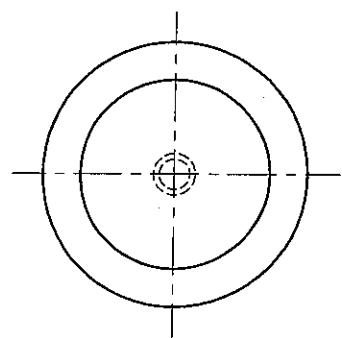
HST-3006
GRADE 304 :
GRADE 316 :



HST-3006W
GRADE 304 :
GRADE 316 :



HST-3505
GRADE 304 :
GRADE 316 :



HST-3505T
GRADE 304 :
GRADE 316 :

NOTE:

-DO NOT SCALE ON DRAWING.
 DIMENSIONS SHALL BE VERIFIED ON SITE
 -UNIT IN mm
 -MATERIAL : STAINLESS STEEL GRADE 304
 /STAINLESS STEEL GRADE 316



REV.	DESCRIPTION	DATE

H HINGS S. S. TACTILE
興業盲人引路點
 HINGS PLASTIC & METAL PRODUCTS MFG
 TEL: (852)2669 1939 FAX: (852)2669 1792
 E-MAIL: hingsrpm@netvigator.com
 www.hingsgroup.com

TITLE

**STAINLESS STEEL TACTILE
 (STOP/TURN)**

DWG. NO.	HST-03	REV.	
DRAWN	TAT	CHECKED	FAT
APPROVAL	TUNG	DATE	12 AUG 05
SCALE	1 : 1		

COPYRIGHT OF THIS DRAWING BELONGS TO HINGS PLASTIC & METAL PRODUCTS MFG. REPRODUCTION OF THIS DRAWING IN PART OR WHOLE IS STRICTLY FORBIDDEN WITHOUT WRITTEN PERMISSION FROM HINGS PLASTIC & METAL PRODUCTS MFG.

NOTE:

-DO NOT SCALE ON DRAWING.
DIMENSIONS SHALL BE VERIFIED ON SI
-UNIT IN mm

FOR REFERENCE ONLY



REV.	DESCRIPTION	DATE

HINGS TACTILE
興業盲人引路磚
 HINGS PLASTIC & METAL PRODUCTS MF
 TEL: (852)2669 1939 FAX: (852)2669 179
 E-MAIL: hingsmp@netnavigator.com
 www.hingsgroup.com

PROJECT

TITLE

**HINGS STAINLESS STEEL
TACTILE FOR VISUALLY
DISABLED PEOPLES**

DWG. NO.

HST-01

REV.

DRAWN

TAT

CHECKED

FAT

APPROVAL

TUNG

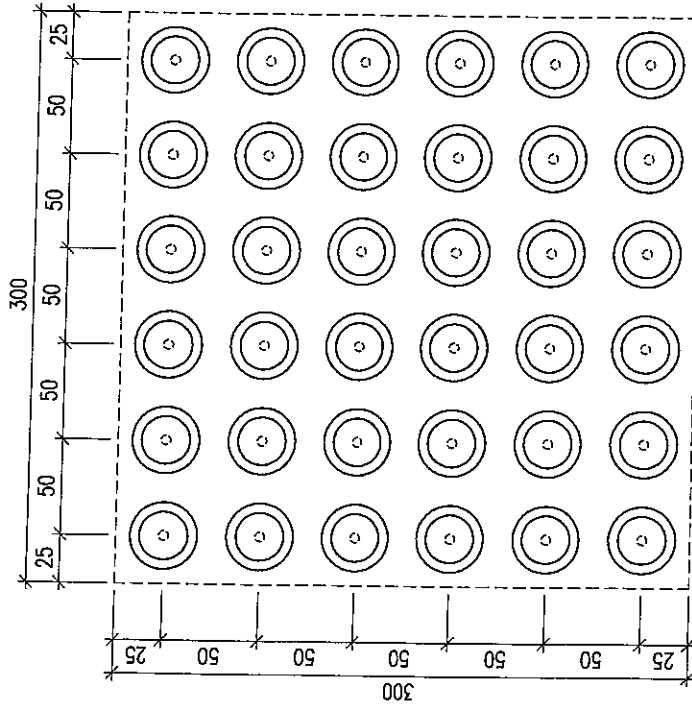
SCALE

AS SHOWN

DATE

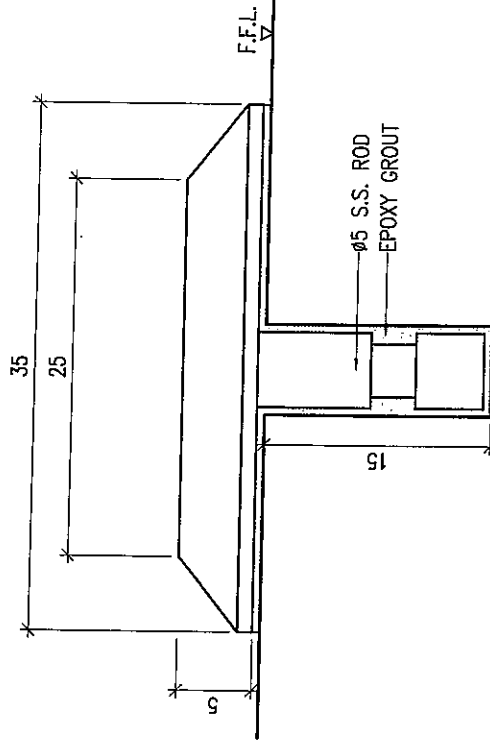
18-6-2004

COPYRIGHT OF THIS DRAWING BELONGS TO HINGS PLASTIC & METAL PRODUCTS MF. REPRODUCTION OF THIS DRAWING IN PART OR WHOLE IS STRICTLY FORBIDDEN WITHOUT WRITTEN PERMISSION FROM HINGS PLASTIC & METAL PRODUCTS MF.



ARRANGEMENT FOR STAINLESS STEEL TACTILE

SCALE 1 : 4



FIXING DETAIL

SCALE 2 : 1

NOTE:
 -DO NOT SCALE ON DRAWING.
 DIMENSIONS SHALL BE VERIFIED ON SITE
 -UNIT IN mm
 -MATERIAL : STAINLESS STEEL GRADE 304
 /STAINLESS STEEL GRADE 316



REV.	DESCRIPTION	DATE

H HINGES S. S. TACTILE
 興業盲人引路點
 HINGES PLASTIC & METAL PRODUCTS MFG
 TEL: (852)2689 1939 FAX: (852)2689 1792
 E-MAIL: hingspmp@netvigator.com
 www.hingsgroup.com

PROJECT

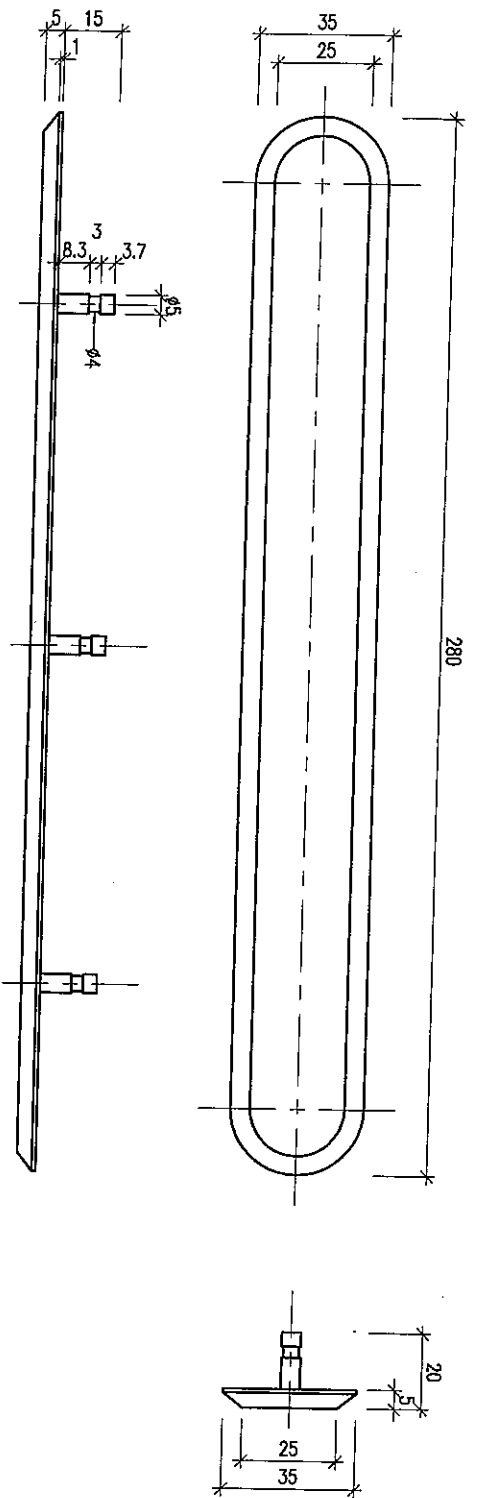
TITLE

STAINLESS STEEL TACTILE
 (GO FORWARD)

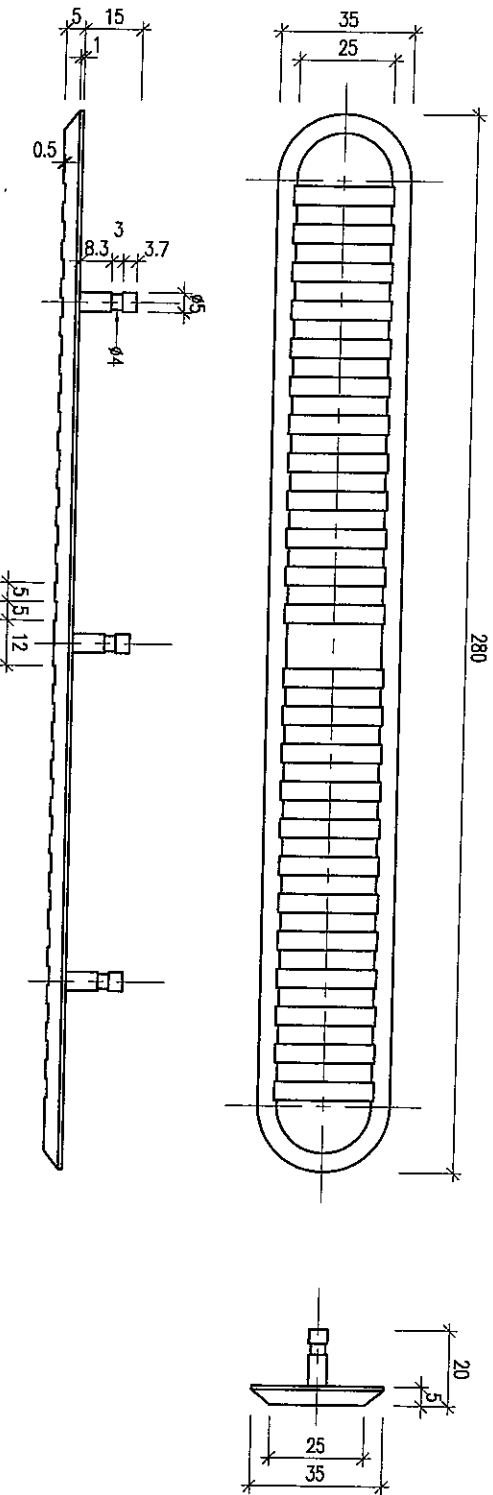
DWG. NO. HST-04

SCALE 1 : 2 DATE 29 AUG 05

COPYRIGHT OF THIS DRAWING BELONGS TO HINGES PLASTIC & METAL PRODUCTS MFG. REPRODUCTION OF THIS DRAWING IN PART OR WHOLE IS STRICTLY FORBIDDEN WITHOUT WRITTEN PERMISSION FROM HINGES PLASTIC & METAL PRODUCTS MFG.



(MODEL : HST-280)
 GRADE 304 :
 GRADE 316 :



(MODEL : HST-280A)
 GRADE 304 :
 GRADE 316 :

NOTE:

-DO NOT SCALE ON DRAWING.
 -DIMENSIONS SHALL BE VERIFIED ON SITE
 -UNIT IN mm



19 JAN 2005

REV.	DESCRIPTION	DATE

HINGS TACTILE
 興業盲人引路貼
 HINGS PLASTIC & METAL PRODUCTS M.F.Y
 TEL: (852)2669 1939 FAX: (852)2669 1792
 E-MAIL: hingsmp@netvigator.com
 www.hingsgroup.com

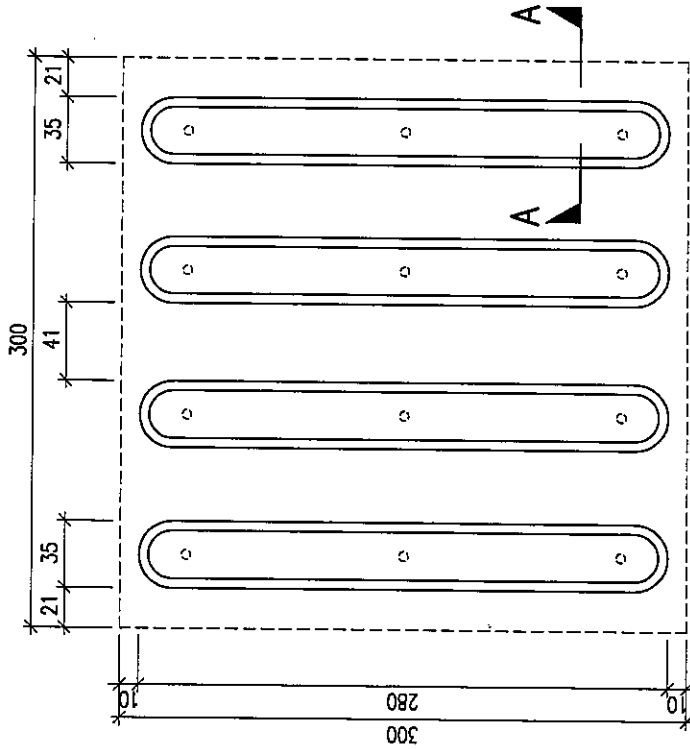
PROJECT

TITLE

**HINGS STAINLESS STEEL
 TACTILE FOR VISUALLY
 DISABLED PEOPLES**

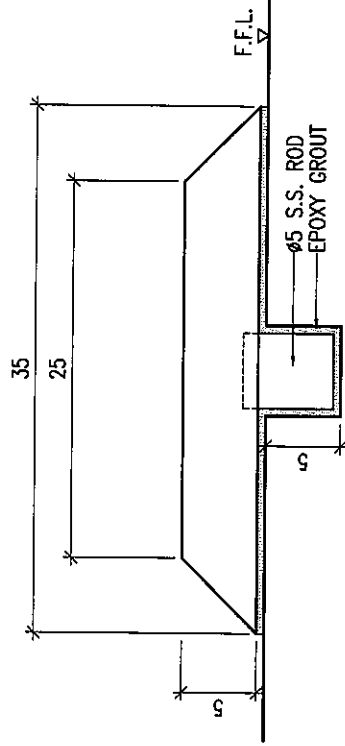
DWG. NO.	HST-02	REV.	
DRAWN	TAT	CHECKED	FAT
SCALE	AS SHOWN	DATE	18-6-2004
		APPROVAL	TUNG

COPYRIGHT OF THIS DRAWING BELONGS TO HINGS PLASTIC & METAL PRODUCTS M.F.Y. REPRODUCTION OF THIS DRAWING IN PART OR WHOLE IS STRICTLY FORBIDDEN WITHOUT WRITTEN PERMISSION FROM HINGS PLASTIC & METAL PRODUCTS M.F.Y.



ARRANGEMENT FOR STAINLESS STEEL TACTILE

SCALE 1 : 4



SECTION A-A

SCALE 1 : 1